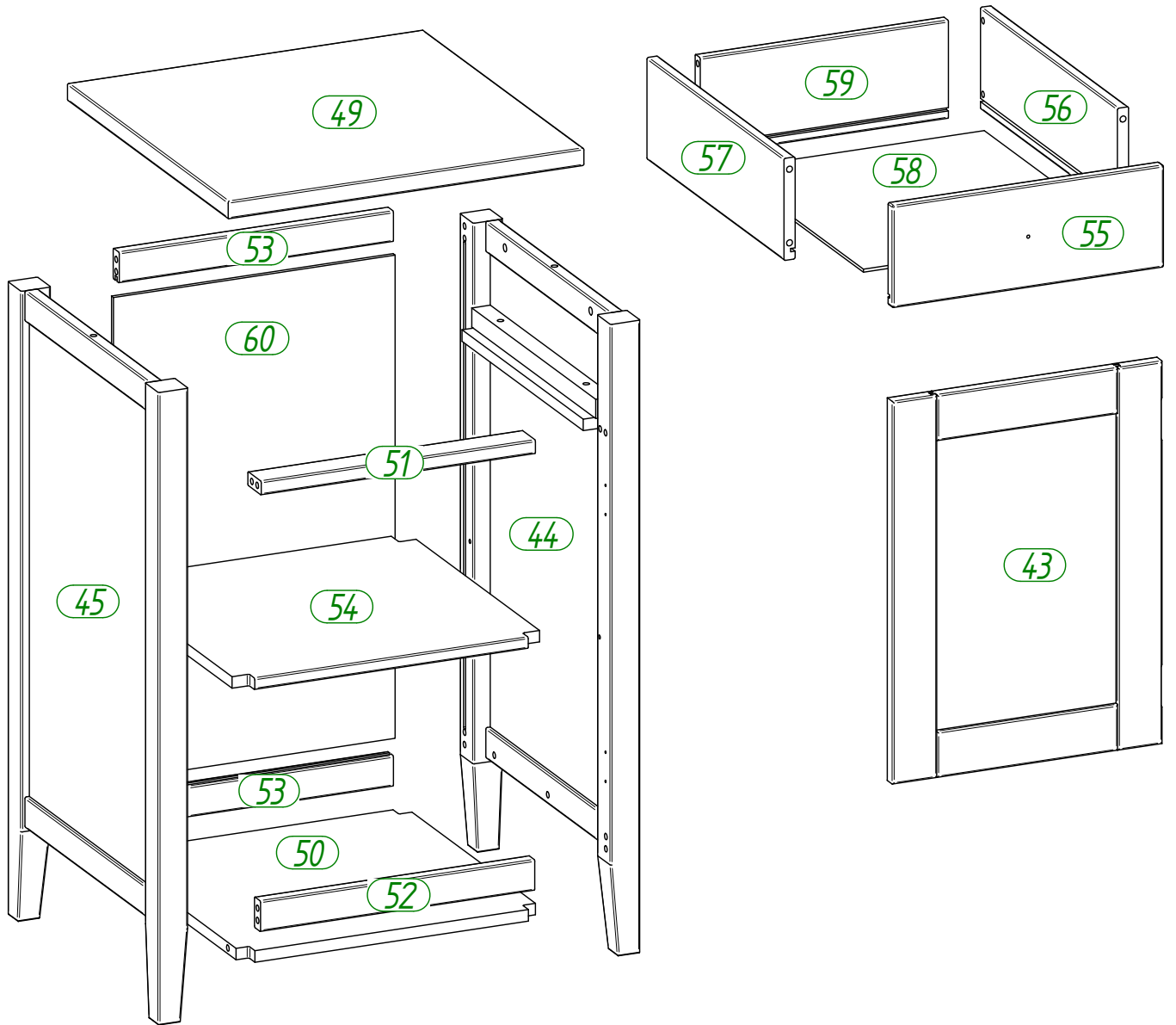
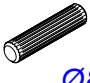
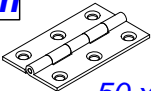
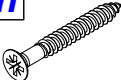

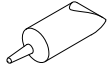






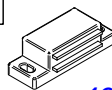

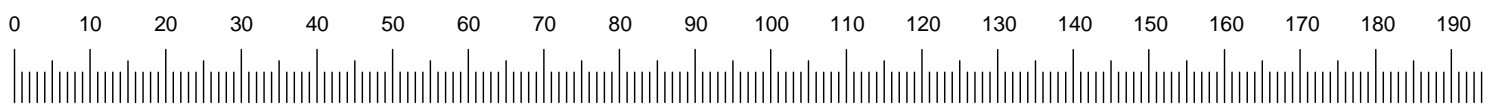
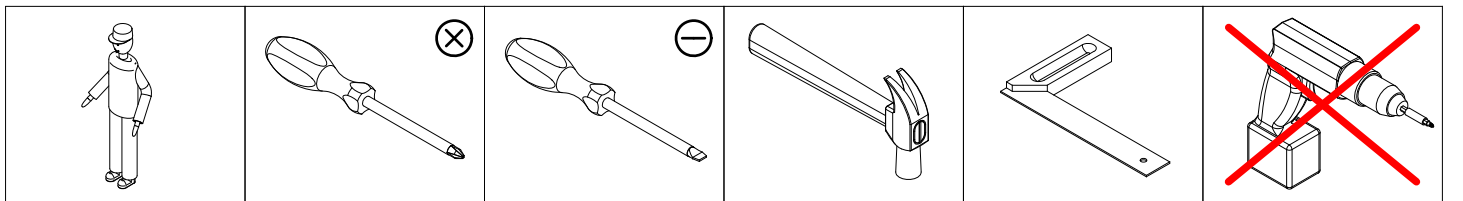
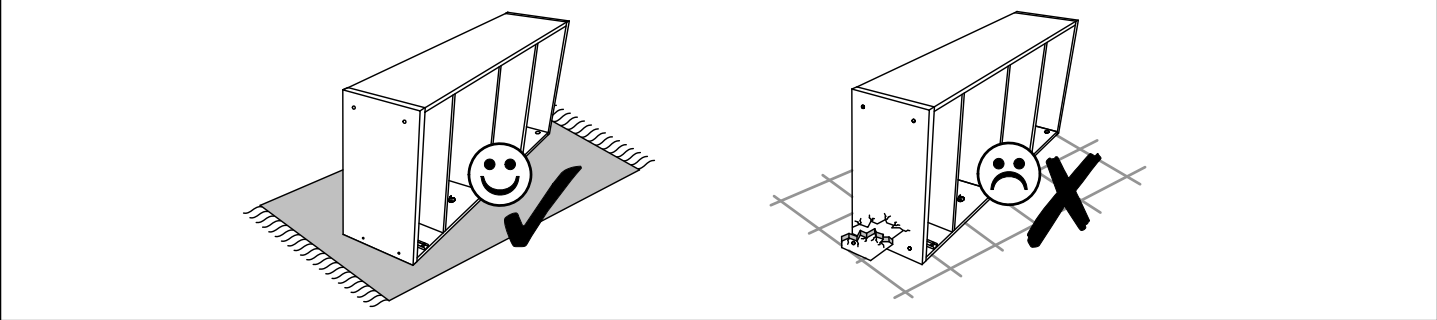


Monteringsanvisning

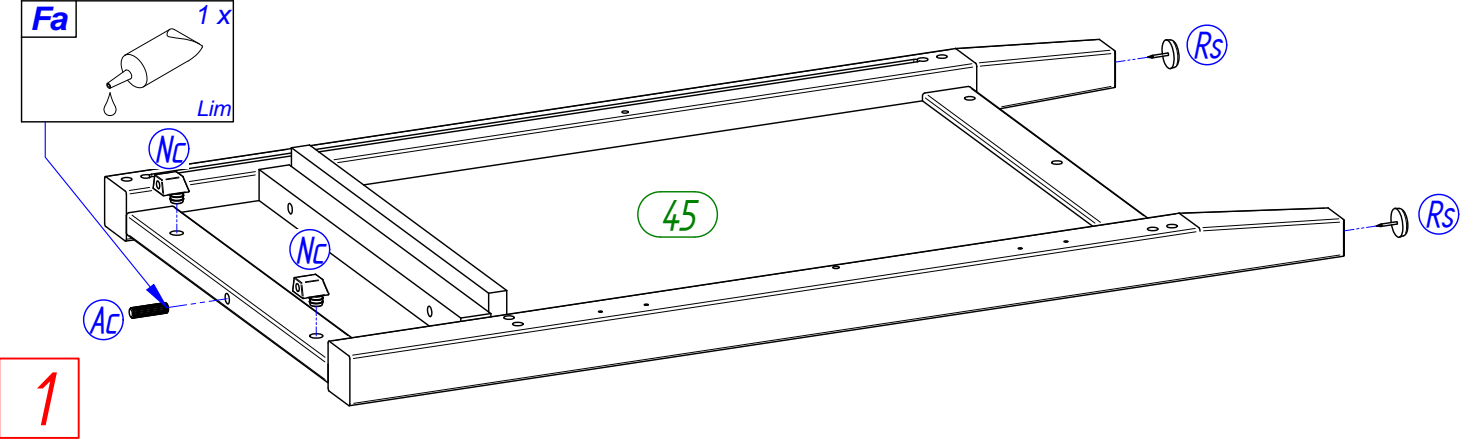
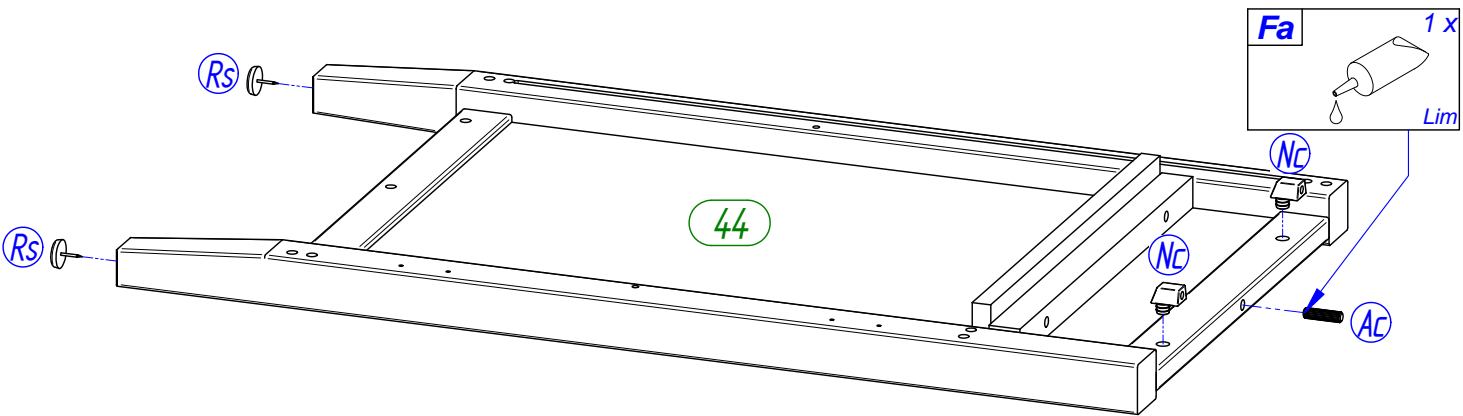


Ac 32 x  Ø8 x 30	Cm 2 x  50 x 30	E 12 x Ø3,0 x 15	En 2 x  Ø4,0 x 35	Er 1 x  Ø3,0 x 12	Fa 4 x  <i>Lim</i>
N 4 x  Ø5 / Ø5	Nc 4 x  22 x 22 x 19	Pc 2 x  Ø34 x 29	Rs 4 x  Ø22 x 17	Tb 2 x  Ø3,5 x 16	Tg 4 x  Ø4,0 x 30
V 1 x  46 x 15	Va 1 x  35 x 12				



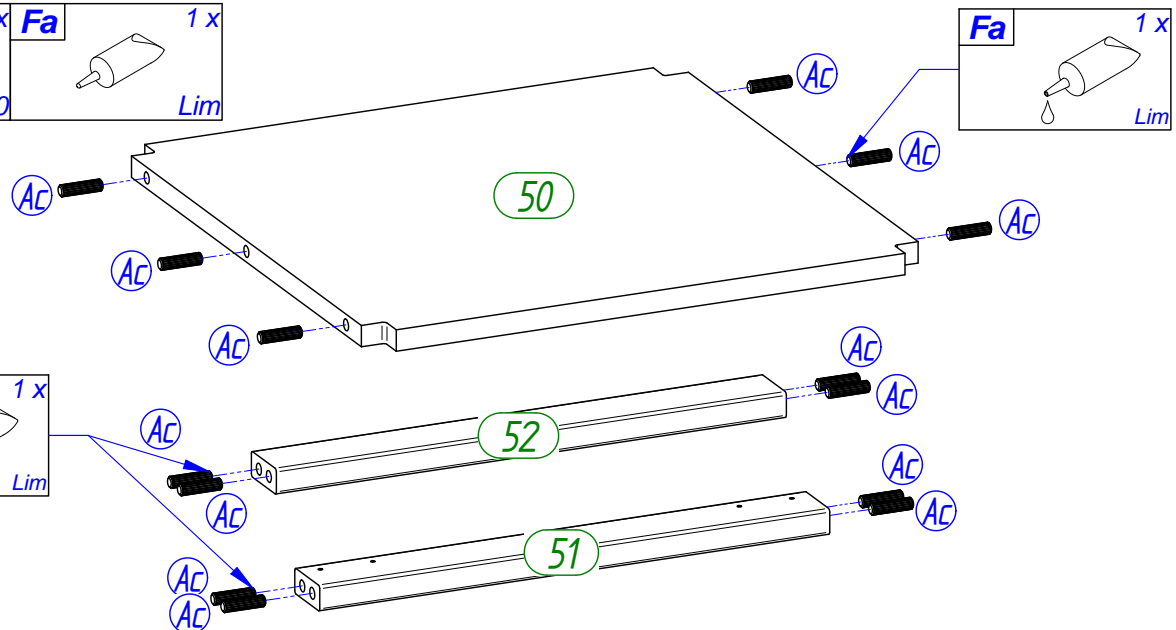


Ac	2 x	Fa	1 x	Nc	4 x	Rs	4 x
Ø8 x 30		Lim		22 x 22 x 19		Ø22 x 17	

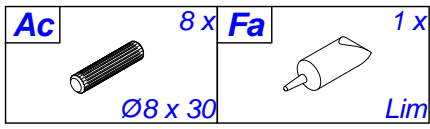


1

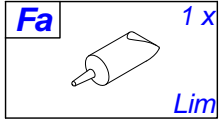
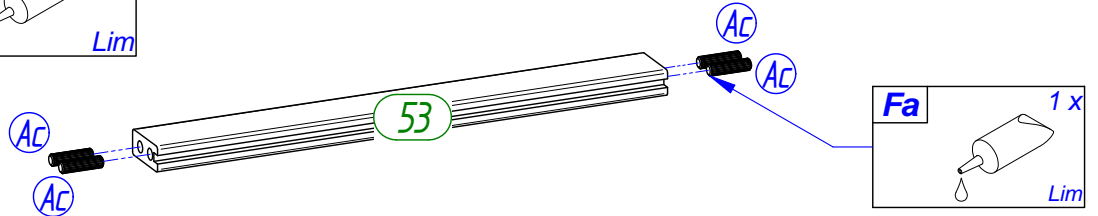
Ac	14 x	Fa	1 x
Ø8 x 30		Lim	



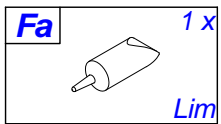
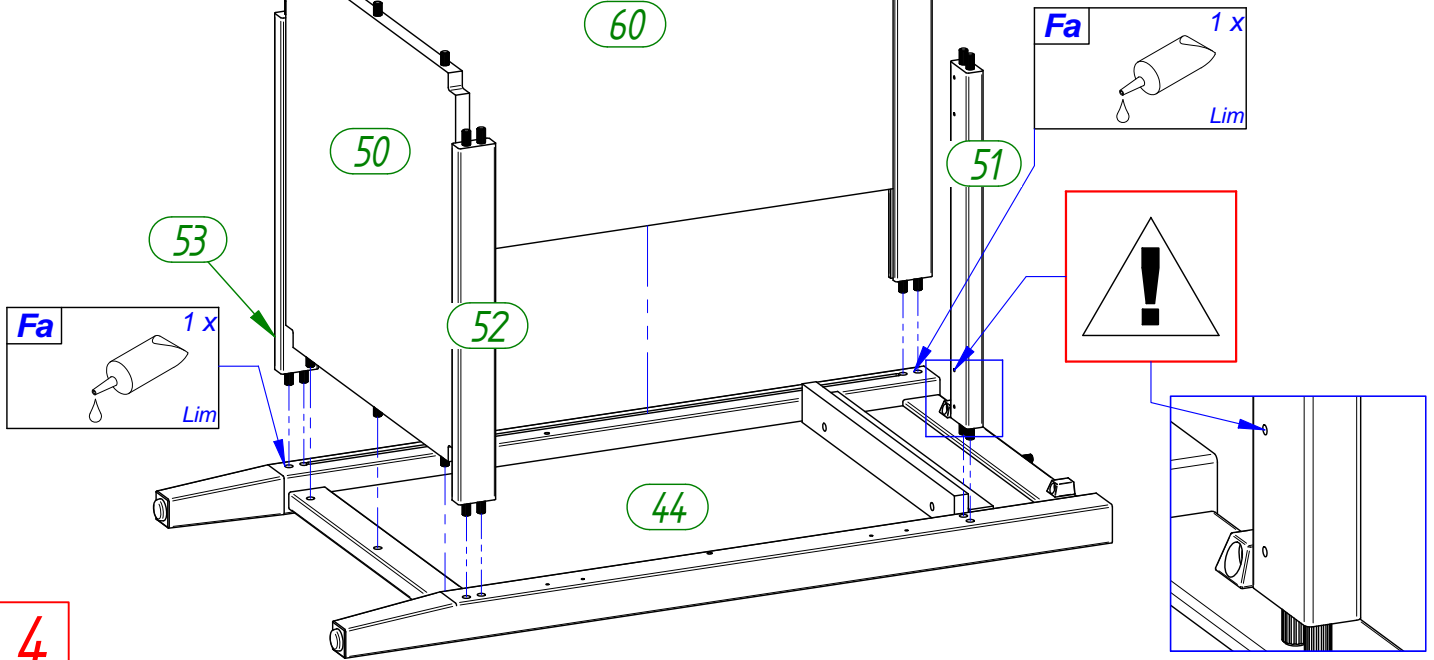
2



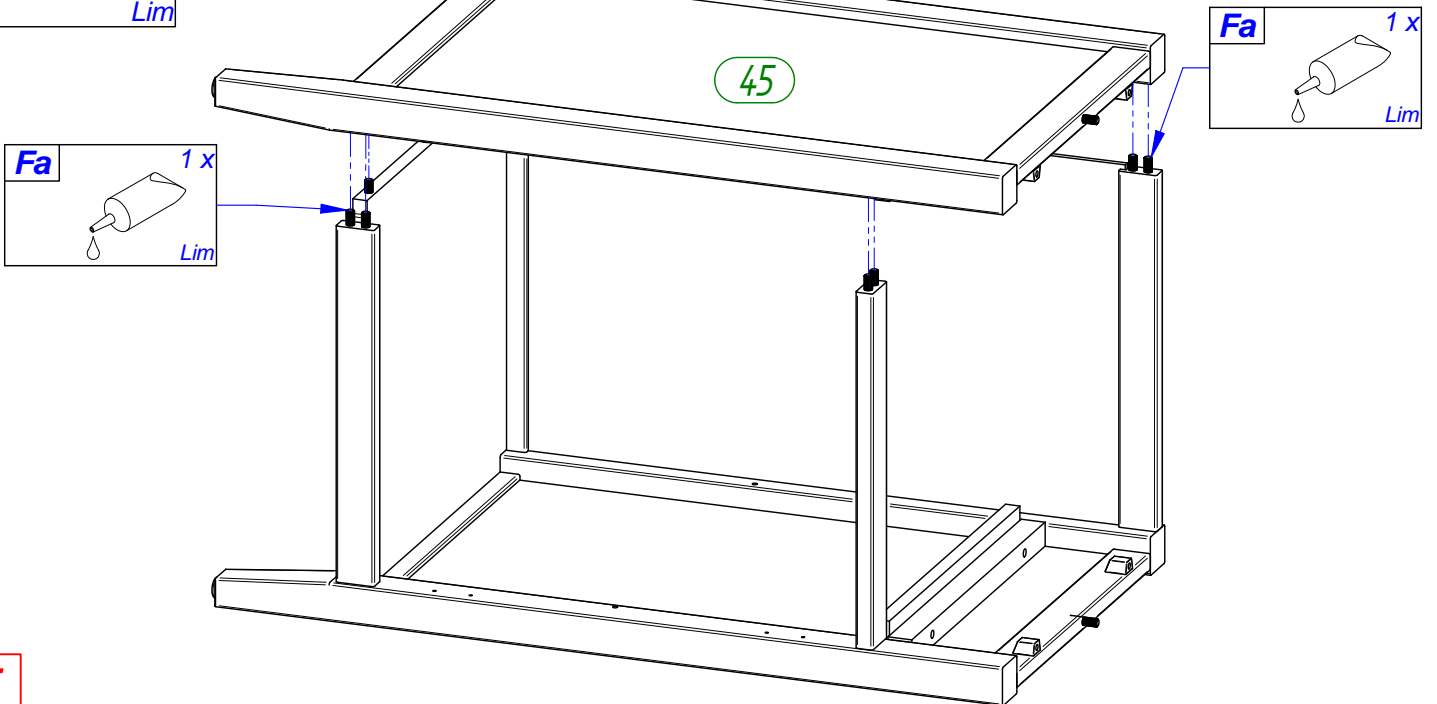
3 x2

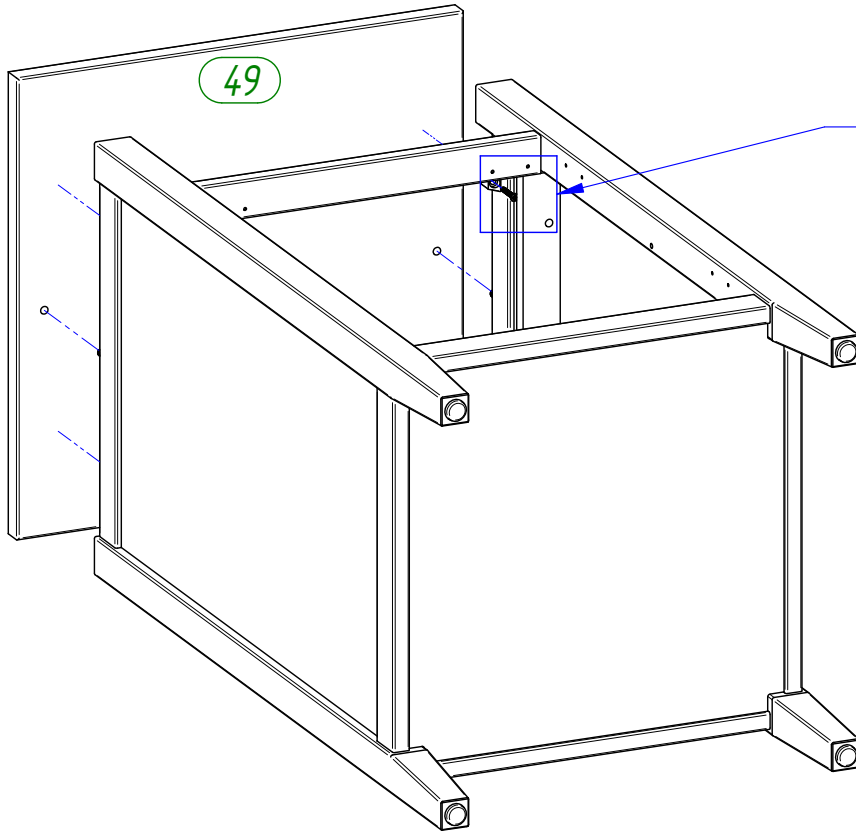
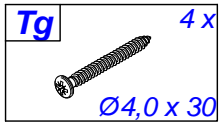


4

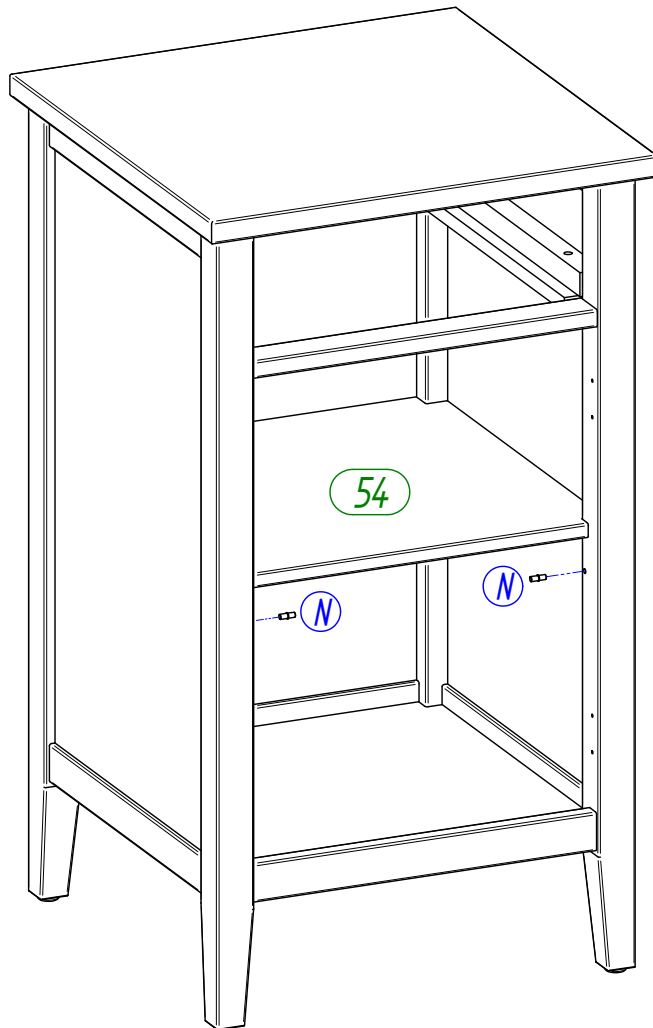
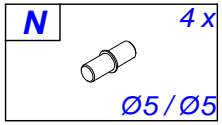


5

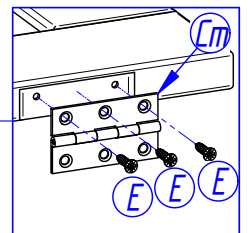
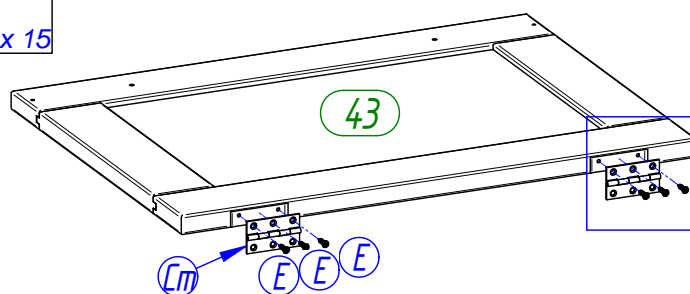
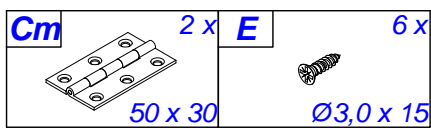
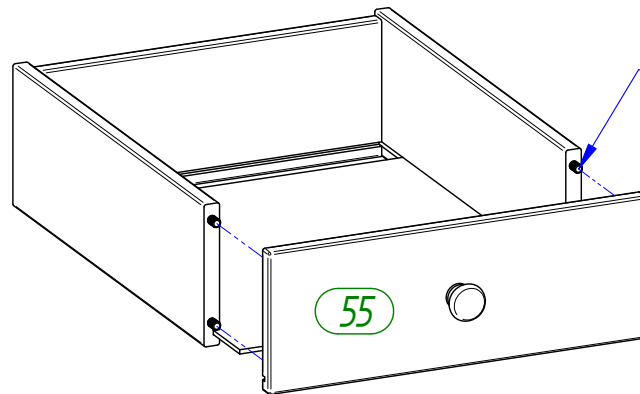
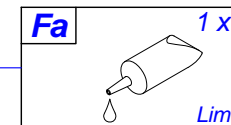
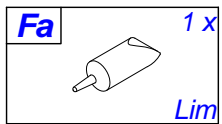
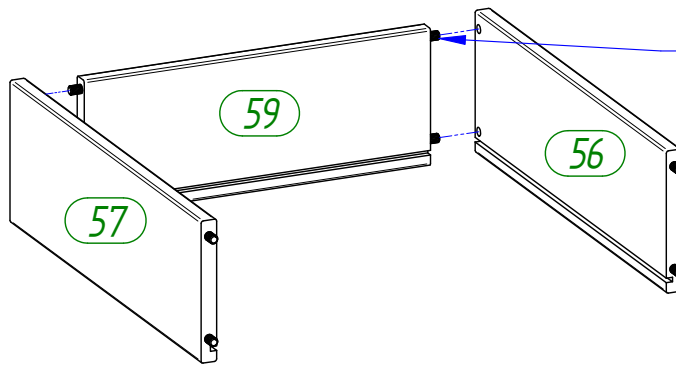
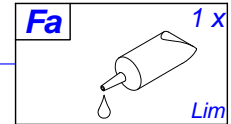
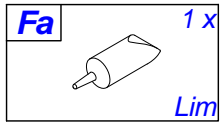
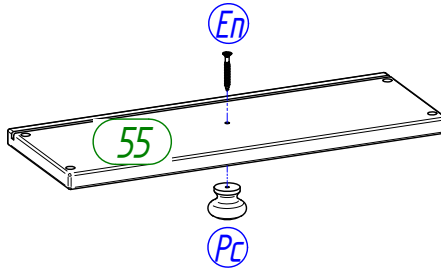
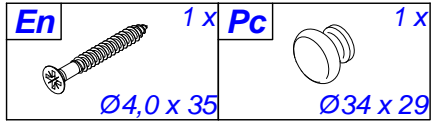
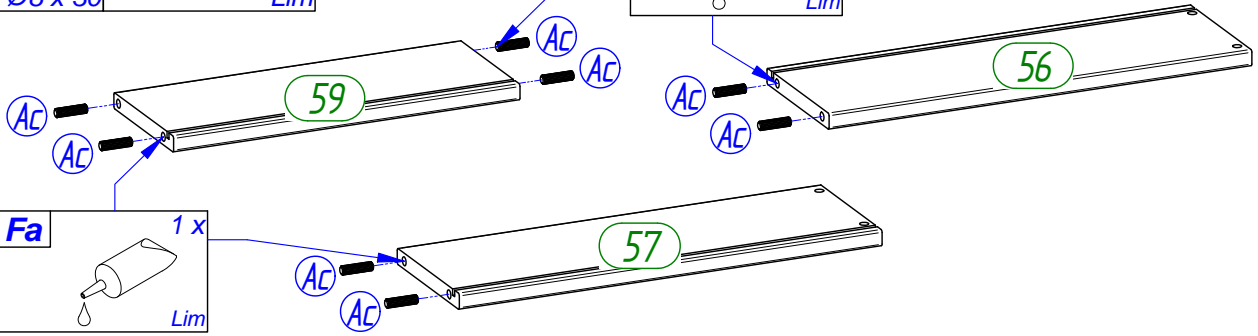
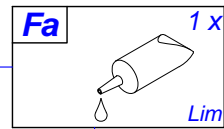
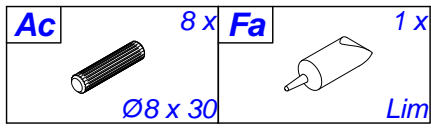


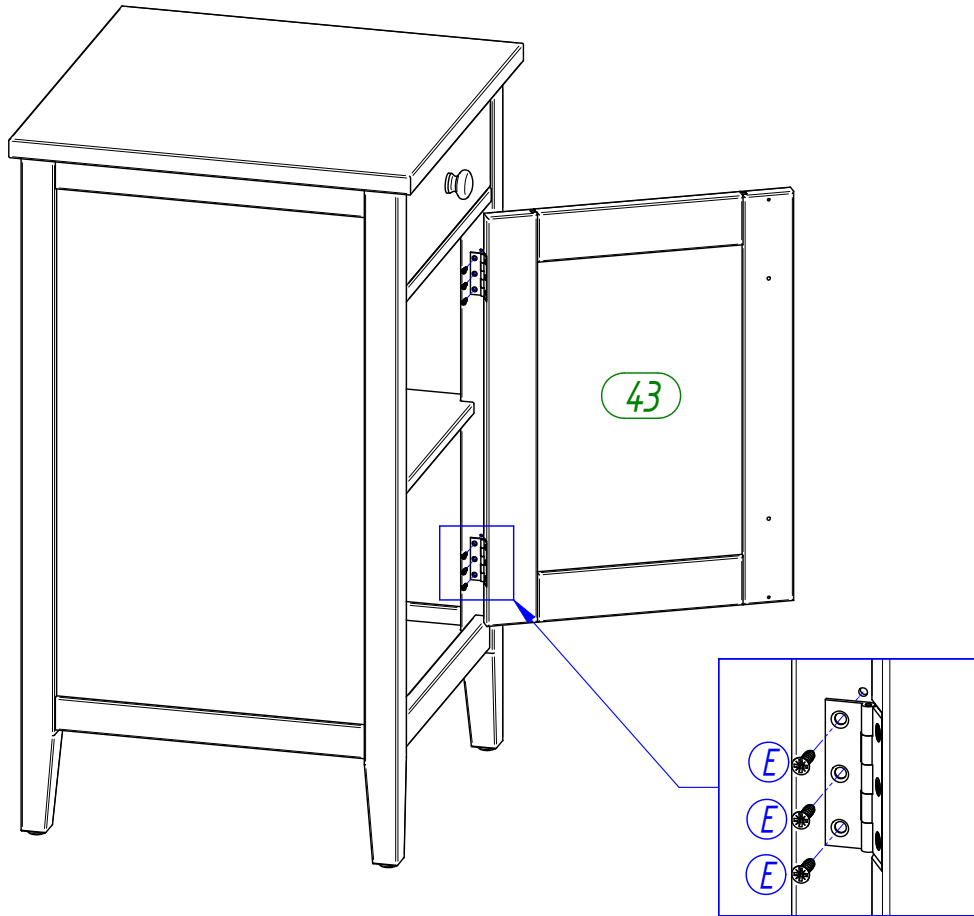
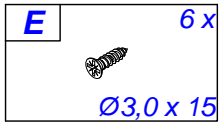


6

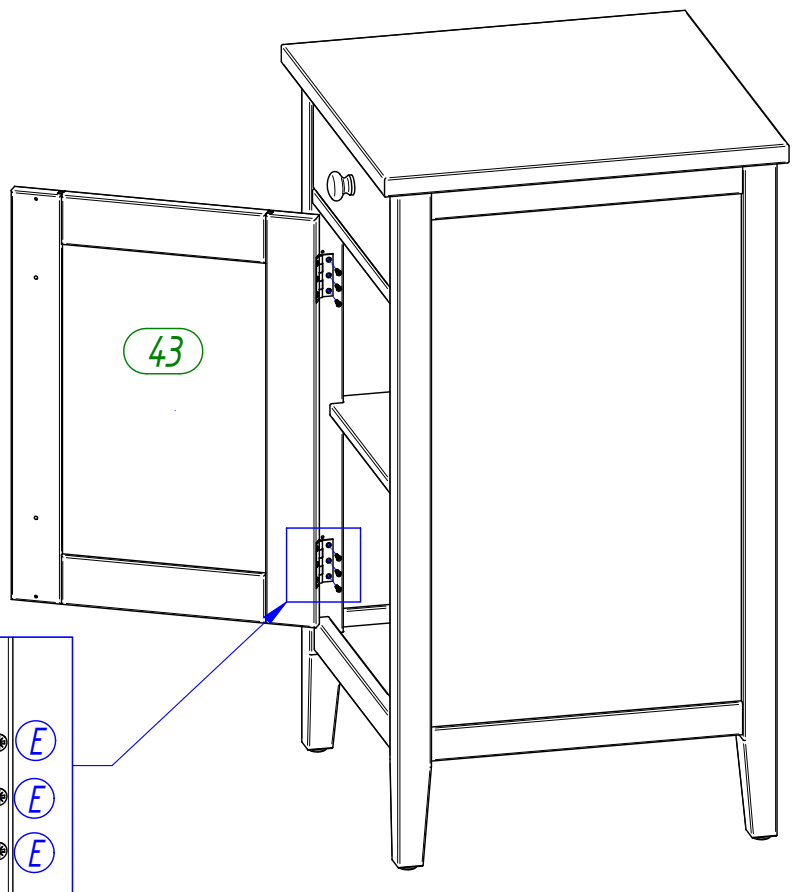
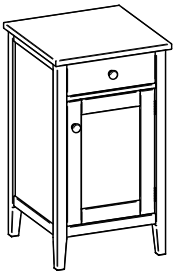


7





13a



13b

