

# Wiring Instructions

This unit is furnished with an electric cord and plug. It requires a circuit protected with a 20 amp circuit breaker and no other appliance on it. **DO NOT CONNECT TO POWER BEFORE VENTLINE HAS BEEN INSTALLED.**

**NOTE:** UNIT IS GROUNDED INTERNALLY THROUGH THE FURNISHED CORD AND PLUG.  
MAKE CERTAIN THAT YOUR CIRCUIT HAS ADEQUATE GROUNDING.

## Wiring Diagram

**⚠ Unplug before doing any electrical repairs.**

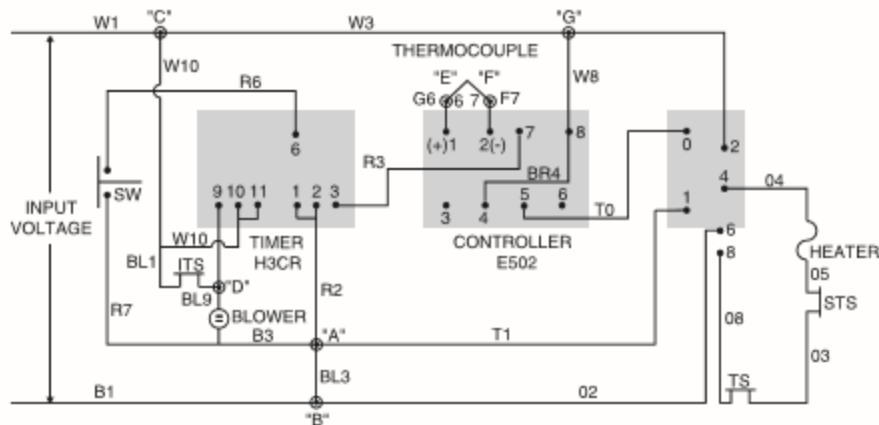
WIRE COLORS: Black=B Red=R Blue=BL Orange=O Gray=G Purple=P Tan=T White=W Brown=BR  
Thermocouple Lead 6 is (+) Thermocouple Lead 7 is (-)

### A, B, C, D, E, F and G are WIRE NUTS:

A connects BL3, R7, B3, R2, T1  
B connects B1, BL3, 02  
C connects W1, W3, W10  
D connects BL9, BL9  
E connects G6, G  
F connects P7, 7  
G connects W3, W4, W,8

### CONTROL ELEMENTS:

ITS – Inverse thermostat to control blower – F-130  
STS – Safety thermostat in case of blower failure – L-140  
TS – Limit thermostat to prevent overheating – L-300  
SW – Start Switch



**CALL TOLL FREE - USA**  
**1-800-527-5551**

**in other countries, call the agent  
shown on front cover of manual.**

**RESEARCH PRODUCTS/Blankenship**

2639 Andjon • Dallas, Texas 75220  
(214) 358-4238 • FAX (214) 350-7919  
E-MAIL: sales@incinolet.com  
www.incinolet.com